

NiCD/Ni-MH

Ni-MH Range					
TYPE REF	VOLTAGE (volts)	NOMINAL CAPACITY 0.2C (MAH)	TYPE	DIMENSIONS (MM)	
				DIAMETER	HEIGHT
HCAAA700	1.2	700	AAA	10.1	44
HCAA1700	1.2	1700	AA	14	48.5
HCAA2000	1.2	2000	AA	14.3	49.7
HC4/3A3800	1.2	3800	4/3A	16.7	66.7
HCCS3000	1.2	3000	Cs	22.1	42.5
HCD8000	1.2	8000	D	32.2	59.5
HCF13000	1.2	13000	F	32.2	89.5
PP3	8.4	160	N/A	L 26.30 x W 17.20 x H 48.0	
Nickel Cadmium High Temperature					
NCDH4000	1.2	4000	D	32.2	59.5
NCDH4000T	1.2	4500	D	32.2	59.5
NCDH40002C *	2.4	4000	D	32.5	118.4
NCDH40003C *	3.6	4000	D	32.5	178
NCDH40004C *	4.8	4000	D	32.5	237
NCDH40005C *	6	4000	D	32.5	296.5
NCDH40006C *	7.2	4000	D	32.5	356
NCDH40007C *	8.4	4000	D	32.5	415
NCDH40008C *	9.6	4000	D	32.5	475
NCDH40002A *	2.4	4000	D	L 64.50 x W 32.50 x H 60.50	
NCDH40003A *	3.6	4000	D	L 97.00 x W 32.50 x H 60.50	
NCDH40004A *	4.8	4000	D	L 130.00 x W 32.50 x H 60.50	
NCDH40005A *	6	4000	D	L 163.00 x W 32.50 x H 60.50	
NCDH40006A *	7.2	4000	D	L 196.00 x W 32.50 x H 60.50	
NCDH40007A *	8.4	4000	D	L 229.00 x W 32.50 x H 60.50	
NCDH40008A *	9.6	4000	D	L 262.00 x W 32.50 x H 60.50	

Note: All dimensions are maximum. Those marked with * include sleeving.

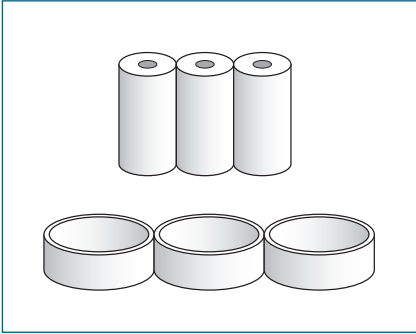
This is a selection of our most popular models only. If the product you require is not listed here, please contact us or refer to our website – www.power-sonic.co.uk

For more information on these or other models, please refer to our datasheets or Battery Guide; All available on our website.

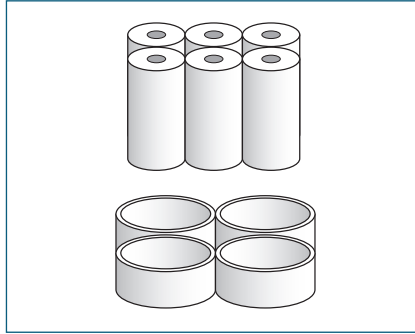


Ni-Cad Pack Configurations

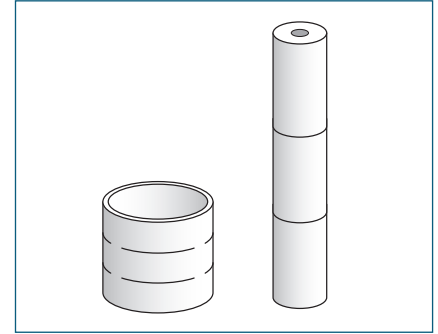
■ **Standard Configuration Codes**



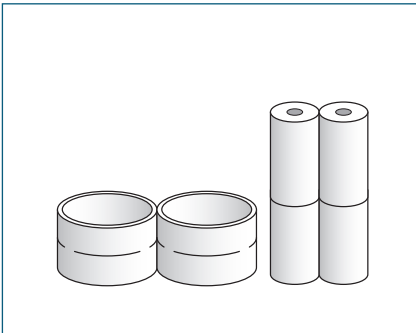
Code: A
Cells arranged in a row



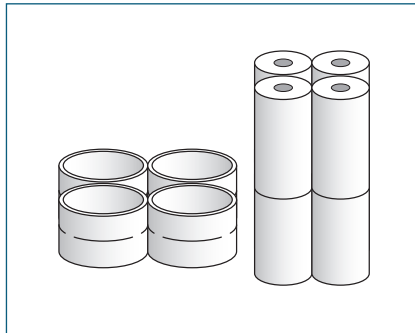
Code: B
Cells arranged in a horizontal rectangle



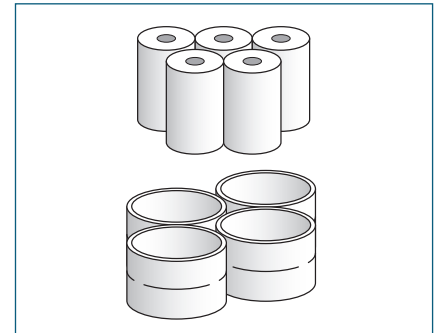
Code: C
Cells stacked in vertical column



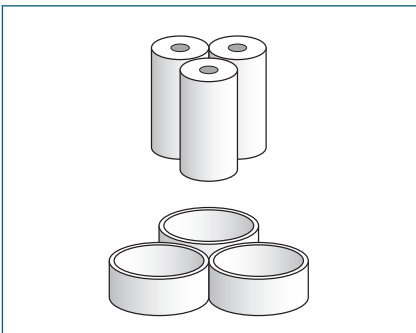
Code: D
Cells stacked in multiple columns & layers



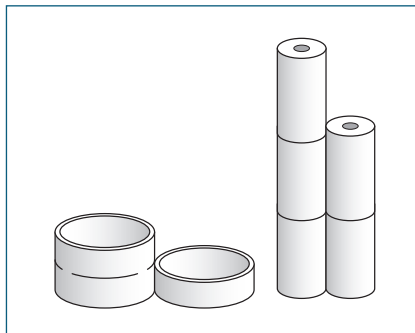
Code: E
Cells stacked in multiple columns & layers



Code: F
Cells arranged in horizontal zig-zag rows (1+ layers)



Code: G
Cells arranged in a horizontal triangle



Code: H
Cells attached in 2 vertical columns of unequal number of cells

Tag Types:

- 0 = Solder Tag
- 1 = Wire leads one end of battery
- 2 = Other terminations
- 3 = No tags, blank ends
- 4 = Single PC Tags both ends
- 5 = Single PC pin-double PC pin +
- 6 = Centre Wire +- solder tags
- 7 = Customers own connector assembly
- 8 = Double PC pin - single PC pin +
- 9 = Wire leads either end of battery