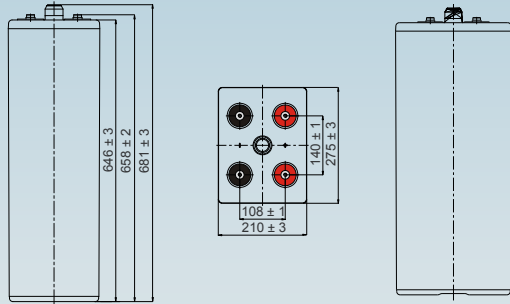
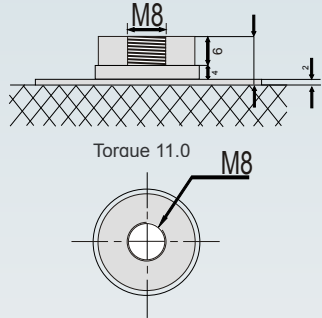


Dimensions (mm)



Standard terminal (mm)

T11 Threaded Insert 8mm Stud



Physical Specification

Nominal Voltage		2V
Nominal Capacity		1200AH
Dimension	Length	275 ± 2 mm
	Width	210 + 3 mm
	Container Height	646 ± 3 mm
	Height to terminal	681 ± 3 mm
Weight Approx		93.0Kg

12 OPzV1200 2V 1200AH

IMAGE COMING SOON...

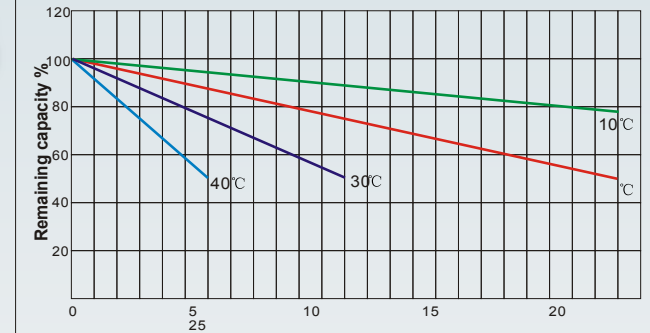
Discharge Characteristics (20°C,

Rated Capacity	10hr Rate(1.80V/cell)	1200AH	Constant Voltage Charge	Cycle	Initial Charging Current Less than 240A Voltage 2.4V ~ 2.5V at 20°C (68°F)
	5hr Rate(1.75V/cell)	1035AH			
Capacity Affected by Temperature	3hr Rate(1.75V/cell)	915AH	Standby		Recommended Charge Current less than 240A Voltage 2.25V ~ 2.3V at 20°C (68°F)
	1hr Rate(1.60V/cell)	681AH			
	40°C (104°F)	103%			
	25°C (77°F)	100%			
	0°C (32°F)	86%			

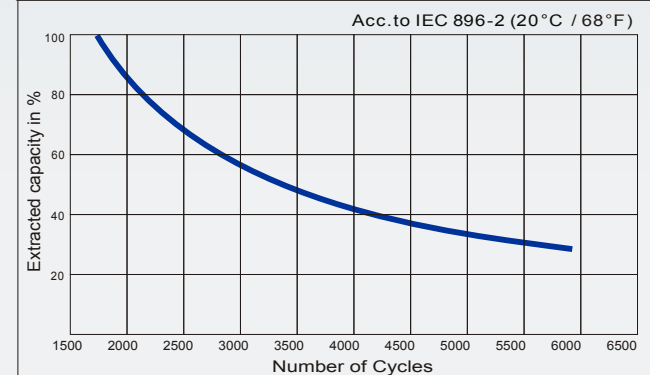
Internal Resistance

Approx 0.45mΩ

Self Discharge Characteristics



Cycle Life in Relation to Depth of Discharge



Power-Sonic Europe Limited
3 Buckingham Square, Wickford, Essex, SS11 8YQ
Tel: +44 (0)1268 560686 Fax: +44 (0)1268 560902
sales@power-sonic.co.uk
www.power-sonic.co.uk

