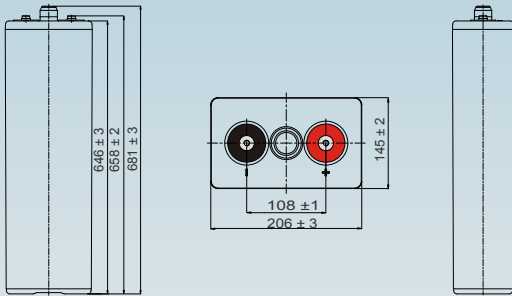
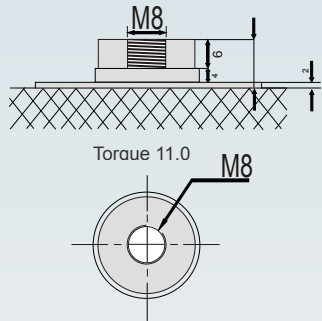


Dimensions (mm)



Standard terminal (mm)

T11 Threaded Insert 8mm Stud



Physical Specification

Nominal Voltage		2V
Nominal Capacity		600AH
Dimension	Length	145 ± 2 mm
	Width	206 + 3 mm
	Container Height	646 ± 3 mm
	Height to terminal	681 ± 3 mm
Weight Approx		46.0Kg

6 OPzV600 2V 600AH

IMAGE COMING SOON...

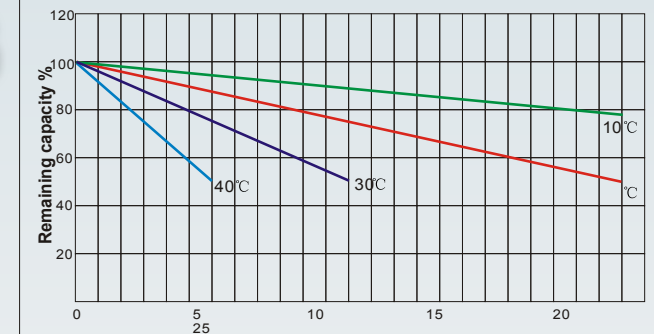
Discharge Characteristics (20°C,

Rated Capacity	10hr Rate(1.80V/cell)	600.0AH	Constant Voltage Charge	Cycle	Initial Charging Current Less than 120.0A Voltage 2.4V ~ 2.5V at 20°C (68°F)
	5hr Rate(1.75V/cell)	520.0AH			
	3hr Rate(1.75V/cell)	456.0AH			
	1hr Rate(1.60V/cell)	341.0AH			
Capacity Affected by Temperature	40°C (104°F)	103%	Constant Voltage Charge	Standby	Recommended Charge Current less than 120.0A Voltage 2.25V ~ 2.3V at 20°C (68°F)
	25°C (77°F)	100%			
	0°C (32°F)	86%			

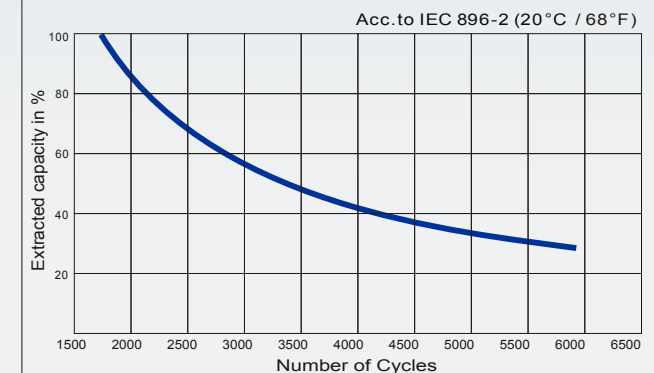
Internal Resistance

Approx 0.62mΩ

Self Discharge Characteristics



Cycle Life in Relation to Depth of Discharge



Power-Sonic Europe Limited
 3 Buckingham Square, Wickford, Essex, SS11 8YQ
 Tel: +44 (0)1268 560686 Fax: +44 (0)1268 560902
 sales@power-sonic.co.uk
 www.power-sonic.co.uk

