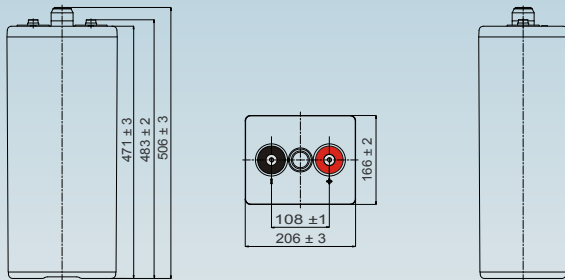
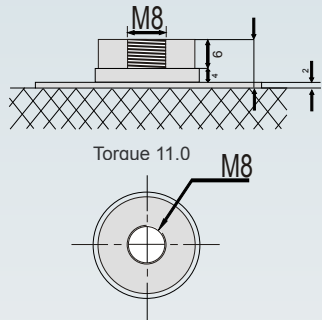


**Dimensions (mm)**



**Standard terminal (mm)**

**T11 Threaded Insert 8mm Stud**



**Physical Specification**

Nominal Voltage		2V
Nominal Capacity		490AH
Dimension	Length	166 ± 2 mm
	Width	206 + 3 mm
	Container Height	471 ± 3 mm
	Height to terminal	506 ± 3 mm
Weight Approx		39.0Kg

**7 OPzV490 2V 490AH**

**IMAGE COMING SOON...**

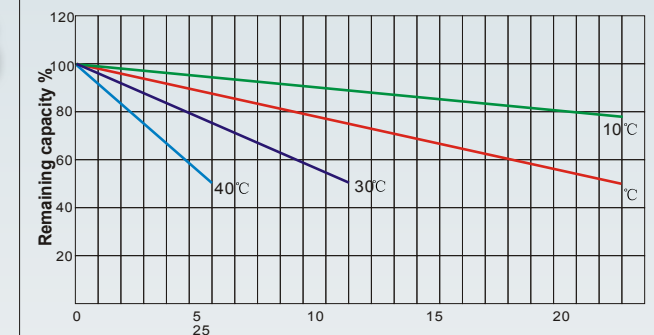
**Discharge Characteristics (20°C,**

Rated Capacity	10hr Rate(1.80V/cell)	490.0AH	Constant Voltage Charge	Cycle	Initial Charging Current Less than 98.0A Voltage 2.4V ~ 2.5V at 20°C (68°F)
	5hr Rate(1.75V/cell)	426.5AH			
	3hr Rate(1.75V/cell)	378.0AH			
	1hr Rate(1.60V/cell)	279.0AH			
Capacity Affected by Temperature	40°C (104°F)	103%	Standby	Recommended Charge Current less than 98.0A Voltage 2.25V ~ 2.3V at 20°C (68°F)	
	25°C (77°F)	100%			
	0°C (32°F)	86%			

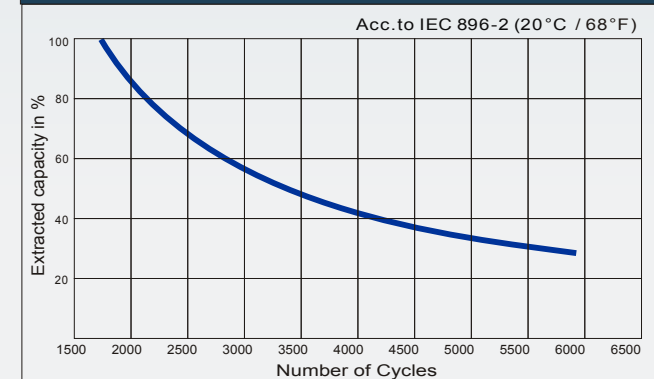
**Internal Resistance**

Approx 0.73mΩ

**Self Discharge Characteristics**



**Cycle Life in Relation to Depth of Discharge**



Power-Sonic Europe Limited  
 3 Buckingham Square, Wickford, Essex, SS11 8YQ  
 Tel: +44 (0)1268 560686 Fax: +44 (0)1268 560902  
 sales@power-sonic.co.uk  
 www.power-sonic.co.uk

