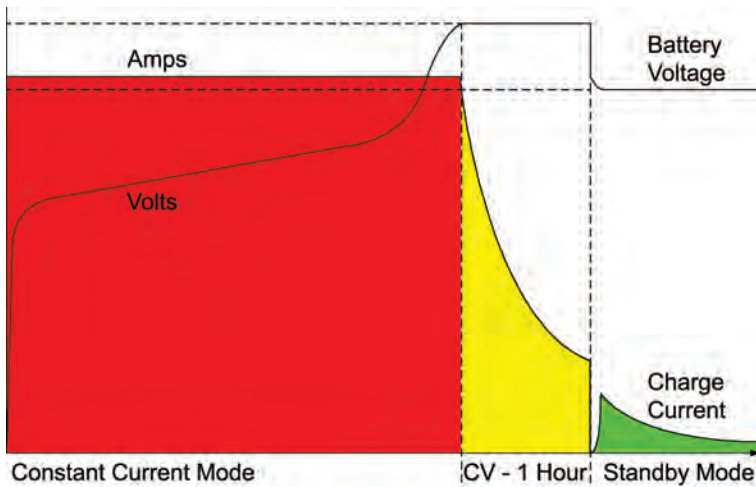
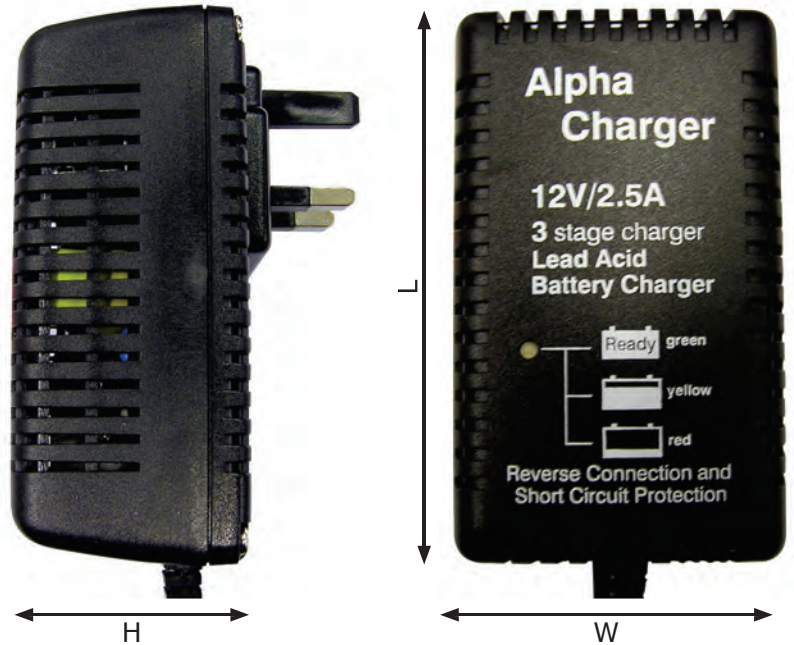


# EXEGON PRO-LITE

## ALPHA122.5 PLUG TOP CHARGER

### Features:-

- Switch mode
- Input voltage 220/240v 50Hz
- Output voltage 12v
- Output current 2.5A
- 3 stage charging
  - Constant current
  - Constant voltage
  - Float
- Timing control
- 3 LED status indication
- Reverse polarity protection
- Compact plastic housing
- Short circuit protection
- Light weight
- Cost effective



### Options:-

- Input voltage 110/130v
- Output connector options
- Set for sealed lead acid
- European plug format

### Applications:-

- Medical equipment
- Alarm systems
- Electrical standby
- Portable units

Model	Input Voltage	Output (Volt/Amps)	Dimensions (L x W x H mm)	Weight (Kg)	Minimum Battery Size
Alpha122.5	220/240v 50Hz	12v 2.5A	105 x 65 x 42	0.27	10Ah



Chargers are CE marked to indicate compliance with the Electromagnetic Compatibility Directive (89/336/EEC) and amending directive (92/31/EEC).



### Exegon Ltd

Unit 1-3 Poulson's Yard, Strattons Walk, Melksham, Wiltshire, SN12 6JL

Tel: (01225) 791805 - Fax: (01225) 791629

Web: [www.exegon.com](http://www.exegon.com) - Email: [sales@exegon.com](mailto:sales@exegon.com)