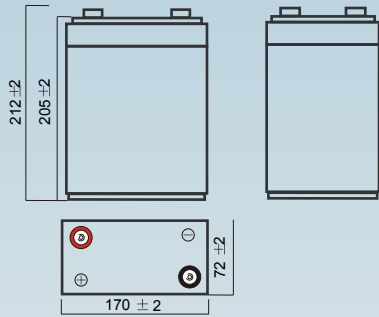


## PG Range

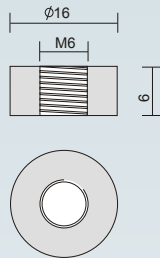
(15yr Design Life in Float Service at 20°C)

### Dimensions (mm)



### Standard terminal (mm)

T6 Threaded Insert 6mm STUD



### Physical Specification

|                   |                              |              |
|-------------------|------------------------------|--------------|
| Nominal Voltage   |                              | 2V           |
| Nominal Capacity  |                              | 107 AH       |
| Dimension         | Length                       | 170 ± 2 mm   |
|                   | Width                        | 72 ± 2 mm    |
|                   | Container Height             | 205 ± 2 mm   |
|                   | Total Height (with terminal) | 212 ± 2 mm   |
| Weight            |                              | Approx 6.0kg |
| Standard Terminal |                              | T6           |

## PG-2V110



### Discharge Characteristics (25°C, 77°F)

|                                  |                     |          |                         |  |  |
|----------------------------------|---------------------|----------|-------------------------|--|--|
| Rated Capacity                   | 20hRate(1.80V/cell) | 107.00AH | Constant Voltage Charge | Cycle  | Initial Charging Current<br>Less than 27.5A<br>Voltage 14.4V ~ 15.0V<br>at 25°C (77°F) |
|                                  | 10hRate(1.80V/cell) | 100.00AH |                         |  |  |
| Capacity Affected by Temperature | 5hRate(1.75V/cell)  | 87.00AH  | Standby                 | Recommended Charge<br>Current less than 27.5A<br>Voltage 13.5V ~<br>13.8V at 15°C (77°F) |  |
|                                  | 3hRate(1.75V/cell)  | 78.00AH  |                         |  |  |
|                                  | 1hRate(1.60V/cell)  | 62.00AH  |                         |  |  |
|                                  | 40°C (104°F)        | 103%     |                         |  |  |
|                                  | 25°C (77°F)         | 100%     |                         |  |  |
|                                  | 0°C (32°F)          | 86%      |                         |  |  |

### Internal Resistance mΩ

1.4mΩ

### Constant Current Discharge (Amperes) at 25 °C (77°F )

| F.V/Time   | 10min  | 15min  | 20min  | 30min  | 45min | 1h    | 2h    | 3h    | 4h    | 5h    | 6h    | 8h    | 10h   | 20h  |
|------------|--------|--------|--------|--------|-------|-------|-------|-------|-------|-------|-------|-------|-------|------|
| 1.85V/cell | 117.00 | 98.40  | 87.30  | 72.40  | 55.90 | 47.80 | 31.00 | 23.30 | 19.10 | 16.00 | 14.10 | 11.30 | 9.69  | 5.17 |
| 1.80V/cell | 133.90 | 110.50 | 96.50  | 78.60  | 60.30 | 50.50 | 33.30 | 25.00 | 20.30 | 17.00 | 14.90 | 11.90 | 10.00 | 5.35 |
| 1.75V/cell | 152.10 | 124.50 | 106.70 | 85.50  | 65.70 | 55.00 | 34.60 | 26.00 | 21.00 | 17.40 | 15.40 | 12.30 | 10.30 | 5.49 |
| 1.70V/cell | 171.70 | 138.20 | 117.70 | 93.30  | 70.80 | 58.20 | 36.50 | 27.40 | 21.90 | 18.40 | 16.10 | 12.80 | 10.70 | 5.63 |
| 1.65V/cell | 184.40 | 147.90 | 125.30 | 98.50  | 74.90 | 60.20 | 37.80 | 28.50 | 22.80 | 19.00 | 16.70 | 13.20 | 11.00 | 5.80 |
| 1.60V/cell | 202.90 | 162.00 | 136.10 | 105.10 | 77.90 | 62.00 | 38.80 | 29.20 | 23.30 | 19.40 | 17.00 | 13.40 | 11.20 | 5.89 |

### Constant Power Discharge (Watts/cell) at 25°C (77°F )

| F.V/Time   | 10min  | 15min  | 20min  | 30min  | 45min  | 1h     | 2h    | 3h    | 4h    | 5h    | 6h    | 8h    | 10h   | 20h   |
|------------|--------|--------|--------|--------|--------|--------|-------|-------|-------|-------|-------|-------|-------|-------|
| 1.85V/cell | 218.50 | 185.60 | 166.30 | 139.40 | 108.50 | 93.20  | 60.70 | 45.80 | 37.70 | 31.80 | 27.90 | 22.50 | 19.40 | 10.30 |
| 1.80V/cell | 247.10 | 205.60 | 181.20 | 149.20 | 116.10 | 97.80  | 64.80 | 49.00 | 39.80 | 33.50 | 29.40 | 23.60 | 20.00 | 10.70 |
| 1.75V/cell | 276.20 | 228.90 | 198.30 | 160.80 | 125.50 | 106.10 | 67.20 | 50.70 | 41.00 | 34.20 | 30.30 | 24.30 | 20.50 | 10.90 |
| 1.70V/cell | 304.90 | 250.50 | 217.30 | 174.60 | 134.70 | 112.00 | 70.60 | 53.30 | 42.80 | 36.10 | 31.70 | 25.30 | 21.20 | 11.20 |
| 1.65V/cell | 324.50 | 266.20 | 229.50 | 182.70 | 141.20 | 115.00 | 72.80 | 55.20 | 44.30 | 37.10 | 32.70 | 26.10 | 21.80 | 11.60 |
| 1.60V/cell | 348.90 | 286.80 | 246.60 | 193.60 | 146.00 | 117.80 | 74.30 | 56.40 | 45.20 | 37.90 | 33.30 | 26.50 | 22.20 | 11.70 |



Power-Sonic Europe Limited  
 3 Buckingham Square, Wickford, Essex, SS11 8YQ  
 Tel: +44 (0)1268 560686 Fax: +44 (0)1268 560902  
 sales@power-sonic.co.uk  
 www.power-sonic.co.uk