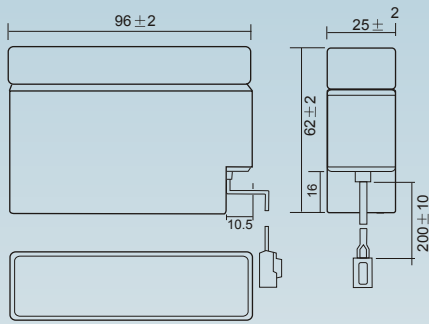
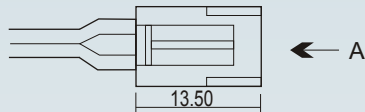


Dimensions (mm)



Standard terminal (mm)



Physical Specification

Nominal Voltage		12V
Nominal Capacity (20HR)		0.8 AH
Dimension	Length	96 ± 2 mm
	Width	25 ± 2 mm
	Container Height	62 ± 2 mm
	Total Height (with terminal)	62 ± 2 mm
Weight		Approx 0.35kg
Standard Terminal		JST Plug

PS-1208 VO



Discharge Characteristics (25°C, 77°F)

Rated Capacity	20hr Rate(1.80V/cell)	0.80AH	Constant Voltage Charge	Cycle	Initial Charging Current Less than 0.20A Voltage 14.40V ~ 15.0V at 25°C (77°F)
	10hr Rate(1.80V/cell)	0.74AH			
Capacity Affected by Temperature	5hr Rate(1.75V/cell)	0.68AH	Standby	Recommended Charge Current less than 0.20A Voltage 13.5V ~ 13.8V at 25°C (77°F)	
	3hr Rate(1.75V/cell)	0.61AH			
	1hr Rate(1.60V/cell)	0.50AH			
	40°C (104°F)	103%			
	25°C (77°F)	100%			
	0°C (32°F)	86%			

Internal Resistance mΩ

150.0 mΩ

Constant Current Discharge Characteristics Unit: Amperes (25°C, 77°F)

F.V/Time	5MIN	10MIN	15MIN	20MIN	30MIN	45MIN	1HR	2HR	3HR	4HR	5HR	6HR	8HR	10HR	20HR
1.85V/cell	1.52	1.17	0.97	0.84	0.65	0.48	0.402	0.238	0.186	0.151	0.123	0.107	0.086	0.072	0.0396
1.80V/cell	2.04	1.49	1.17	0.99	0.76	0.56	0.451	0.260	0.200	0.162	0.132	0.115	0.092	0.074	0.0400
1.75V/cell	2.31	1.64	1.28	1.07	0.79	0.58	0.471	0.269	0.204	0.165	0.136	0.118	0.093	0.076	0.0404
1.70V/cell	2.54	1.79	1.37	1.12	0.83	0.60	0.486	0.276	0.210	0.170	0.139	0.120	0.095	0.078	0.0411
1.65V/cell	2.80	1.93	1.45	1.19	0.87	0.61	0.498	0.280	0.219	0.175	0.143	0.123	0.096	0.080	0.0417
1.60V/cell	3.09	2.10	1.55	1.27	0.92	0.64	0.502	0.292	0.225	0.181	0.148	0.126	0.097	0.080	0.0419

Constant Power Discharge Characteristics Unit: (Watts/cell) (25°C, 77°F)

F.V/Time	5MIN	10MIN	15MIN	20MIN	30MIN	45MIN	1HR	2HR	3HR	4HR	5HR	6HR	8HR	10HR	20HR
1.85V/cell	2.790	2.160	1.810	1.580	1.230	0.920	0.777	0.462	0.637	0.297	0.242	0.212	0.172	0.143	0.078
1.80V/cell	3.700	2.730	2.160	1.840	1.430	1.060	0.865	0.502	0.388	0.313	0.258	0.225	0.180	0.147	0.078
1.75V/cell	4.080	2.950	2.330	1.960	1.480	1.090	0.900	0.518	0.393	0.320	0.263	0.230	0.183	0.152	0.080
1.70V/cell	4.370	3.140	2.450	2.040	1.530	1.130	0.927	0.528	0.403	0.328	0.272	0.235	0.185	0.153	0.082
1.65V/cell	4.750	3.360	2.580	2.160	1.600	1.150	0.940	0.533	0.420	0.338	0.277	0.238	0.188	0.157	0.082
1.60V/cell	5.120	3.570	2.720	2.270	1.680	1.190	0.945	0.553	0.430	0.348	0.285	0.243	0.188	0.158	0.083



Power-Sonic Europe Limited
 3 Buckingham Square, Wickford, Essex, SS11 8YQ
 Tel: +44 (0)1268 560686 Fax: +44 (0)1268 560902
 sales@power-sonic.co.uk
 www.power-sonic.co.uk