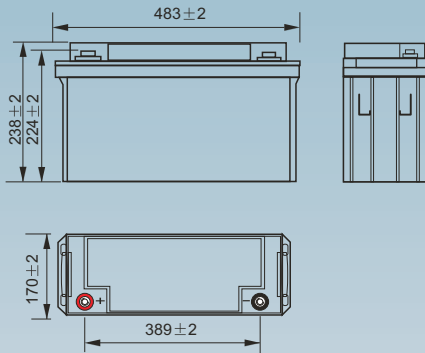


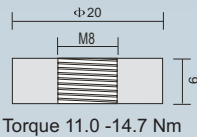
## PSGL Gel Series (For cyclic applications)

### Dimensions (mm)

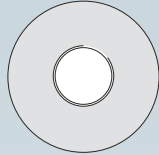


### Standard terminal (mm)

#### T11 Threaded Insert 8mm Stud



Torque 11.0 - 14.7 Nm



### Physical Specification

Nominal Voltage		12V
Nominal Capacity		135 AH
Dimension	Length	483 ± 2 mm
	Width	170 + 2 mm
	Container Height	238 ± 2 mm
	Height to terminal	224 ± 2 mm
Weight		Approx 44.2kg
Standard Terminal		T11

## PSGL121350



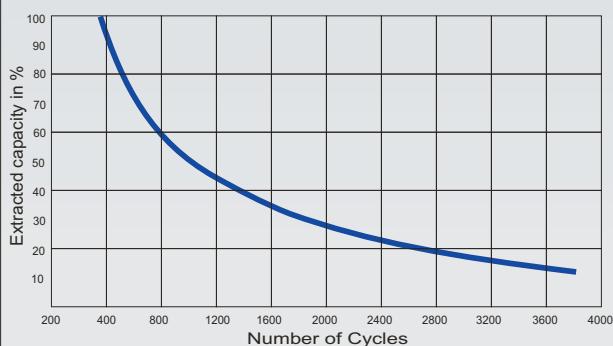
### Discharge Characteristics (25°C, 77°F)

Rated Capacity	20hr Rate(1.80V/cell)	135.0AH	Constant Voltage Charge	Cycle	Initial Charging Current Less than 32.5A Voltage 14.4V ~ 15.0V at 25°C (77°F)
	10hr Rate(1.80V/cell)	123.0AH			
	8hr Rate(1.75V/cell)	117.6AH			
	5hr Rate(1.75V/cell)	108.0AH			
Capacity Affected by Temperature	1hr Rate(1.60V/cell)	78.8AH	Standby	Recommended Charge Current less than 32.5A Voltage 13.5V ~ 13.8V at 15°C (77°F)	
	40°C (104°F)	103%			
	25°C (77°F)	100%			
	0°C (32°F)	86%			

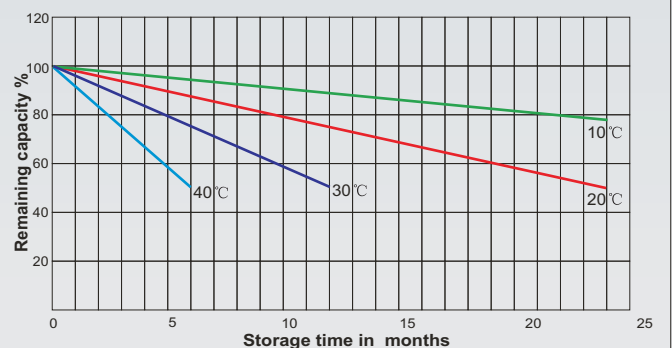
### Internal Resistance mΩ

Approx 4.2 mΩ

### Cycle Life in Relation to Depth of Discharge



### Self Discharge Characteristics



Power-Sonic Europe Limited  
3 Buckingham Square, Wickford, Essex, SS11 8YQ  
Tel: +44 (0)1268 560686 Fax: +44 (0)1268 560902  
sales@power-sonic.co.uk  
www.power-sonic.co.uk