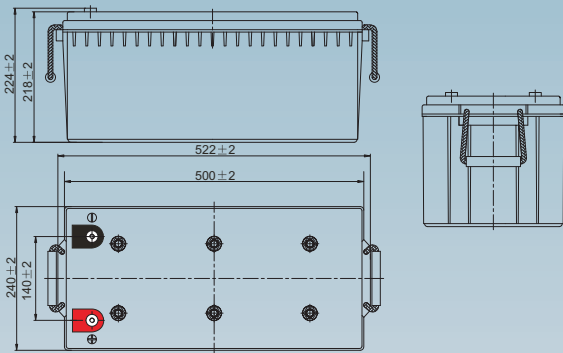


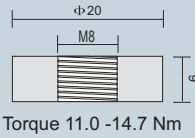
## PSGL Gel Series (For cyclic applications)

### Dimensions (mm)

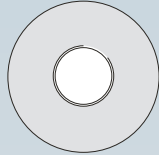


### Standard terminal (mm)

#### T11 Threaded Insert 8mm Stud



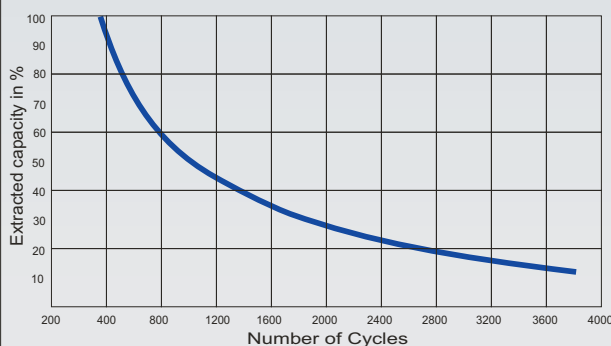
Torque 11.0 -14.7 Nm



### Physical Specification

Nominal Voltage		12V
Nominal Capacity		200 AH
Dimension	Length	522 ± 2 mm
	Width	240 + 2 mm
	Container Height	218 ± 2 mm
	Height to terminal	224 ± 2 mm
Weight		Approx 62.9kg
Standard Terminal		T11

### Cycle Life in Relation to Depth of Discharge



## PSGL122000



### Discharge Characteristics (25°C, 77°F)

Rated Capacity	20hr Rate(1.80V/cell)	200.0AH	Constant Voltage Charge	Cycle	Initial Charging Current Less than 50.0A Voltage 14.4V ~ 15.0V at 25°C (77°F)
	10hr Rate(1.80V/cell)	182.0AH			
	8hr Rate(1.75V/cell)	175.2AH			
	5hr Rate(1.75V/cell)	160.0AH			
Capacity Affected by Temperature	1hr Rate(1.60V/cell)	116.8AH	Constant Voltage Charge	Standby	Recommended Charge Current less than 50.0A Voltage 13.5V ~ 13.8V at 15°C (77°F)
	40°C (104°F)	103%			
	25°C (77°F)	100%			
	0°C (32°F)	86%			

### Internal Resistance mΩ

Approx 3.24 mΩ

### Self Discharge Characteristics

